



The **Octagon ART Micro** is ideal for home and garden, conservatories, decking areas, patios, outbuildings and green houses. Converting damaging positive ions into revitalising negative ions to help rejuvenate a small localised area. In the home the Octagon ART micro will help neutralise the damaging radiations from wireless routers and computers, microwaves, helping to neutralise the harmful effects of electronic smog within the home converting the bad energy into rejuvenating, life giving negative ion energy,

Specifications

CONSTRUCTION

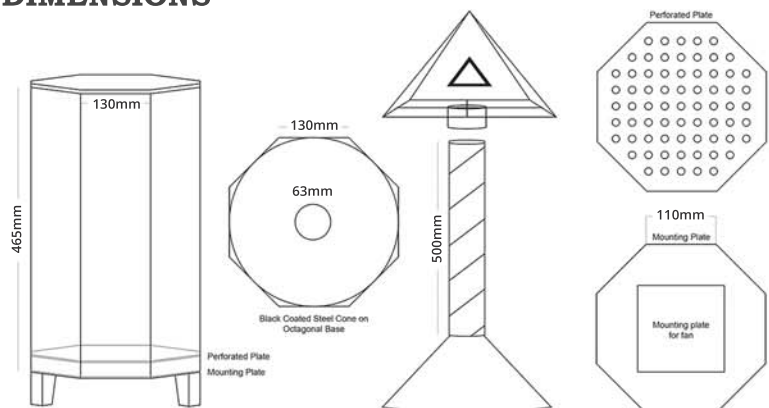
Containment Vessel: Water Resistant Marine Ply Board
Accumulation Cone: Forged Steel, Powder Coated Matt Black
Flue System: 50mm x 500mm, Spiral Galvanized Flue
Pyramid: Four Laser Cut, Triangular Plates, Earth, Air, Water, Fire Design Forged Steel, Powder Coated Matt Black
Electric Fan: Chrome Extractor Fan Ducting Size - 100mm / 4" 85 - 90m³/h

C 100

Technical Data

Rated voltage	230 V
Frequency	50 Hz
Input power	16 W
Air flow volume	87 m ³ /h
Revolution speed	
Protection (IP)	IP-44
Sound pressure level	38 dB (A)
Weight	0.5 kg
A	
B	170 mm
C	104 mm
D	168 mm
E	
F	

DIMENSIONS



Weight: 40kg