

The **Octagon ART Midi** is ideal for home and garden, conservatories, decking areas, patios, outbuildings and green houses. Converting damaging positive ions into revitalising negative ions, providing localised atmospheric restoration to help neutralise persistent contrails and light to medium cloud cover. The Octagon ART mini will also help neutralise the harmful effects of localised technological radiations such as cell phone towers, wireless routers and computers, helping to neutralise the harmful effects of electronic smog within the home converting the bad energy into rejuvenating, life giving negative ion energy, attracting birds and wildlife to your garden.

## Specifications

### CONSTRUCTION

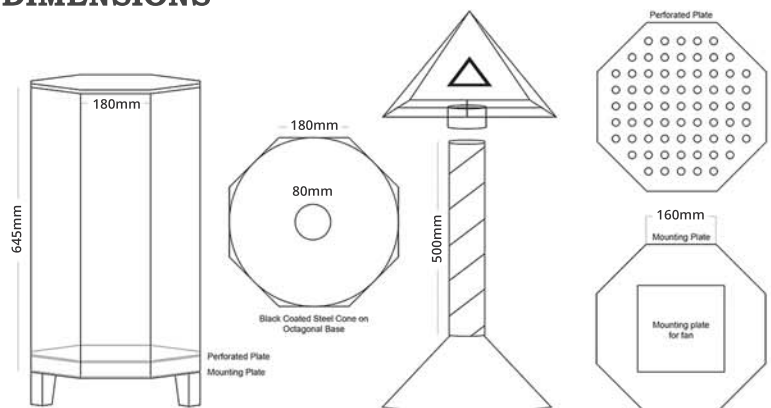
**Containment Vessel:** Water Resistant Marine Ply Board  
**Accumulation Cone:** Forged Steel, Powder Coated Matt Black  
**Flue System:** 100mm x 750m, Spiral Galvanized Flue  
**Pyramid:** Four Laser Cut, Triangular Plates, Earth, Air, Water, Fire Design Forged Steel, Powder Coated Matt Black  
**Electric Fan:** Metal Industrial Extractor Fan Ducting Size - 200mm / 8" 1300rpm 470m<sup>3</sup>/h

### C 200

#### Technical Data

Rated voltage	230 V
Frequency	50 Hz
Input power	31 W
Air flow volume	470 m <sup>3</sup> /h
Revolution speed	1300 rpm
Protection (IP)	IP-X2
Sound pressure level	51 dB (A)
Weight	2,05 kg
A	268 mm
B	200 mm
C	115 mm
D	210 mm
E	75 mm
F	10 mm

### DIMENSIONS



**Weight: 50kg**

